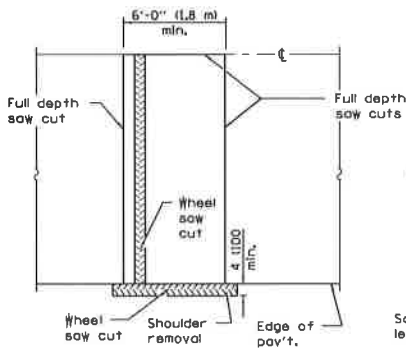
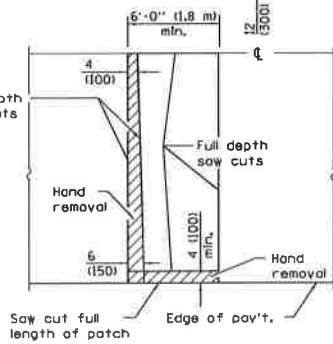


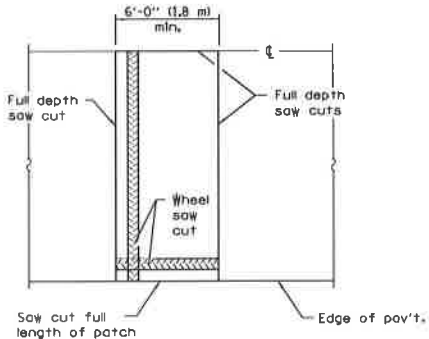
**PAVEMENT SAWING DETAIL**  
(HMA SHOULDER)



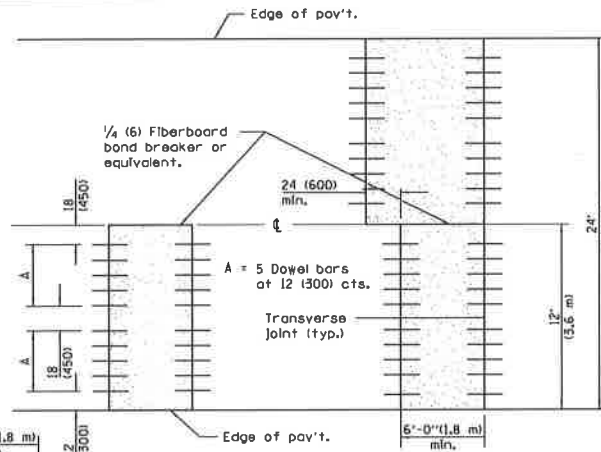
**ALTERNATE SAWING DETAIL**  
(HMA SHOULDER)



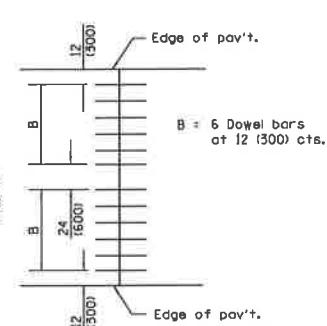
**PAVEMENT SAWING DETAIL**  
(PCC SHOULDER)



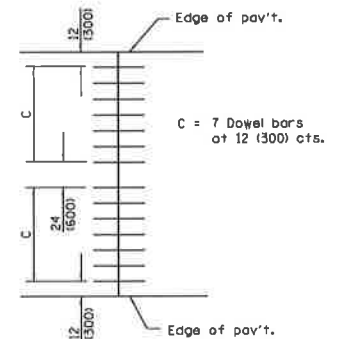
**ALTERNATE SAWING DETAIL**  
(PCC SHOULDER)



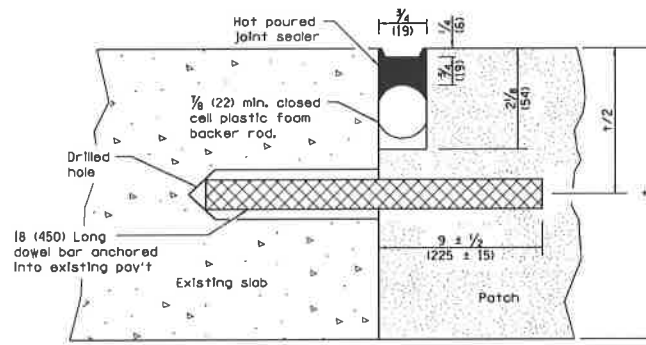
**12' (3.6 m) WIDE LANES**



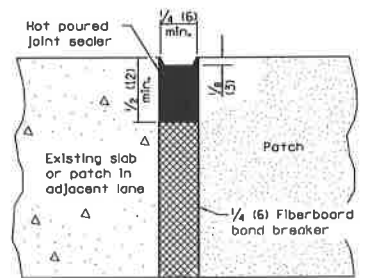
**14' (4.2 m) WIDE RAMP**



**16' (4.8 m) WIDE RAMP**



**TRANSVERSE JOINT**



**CENTERLINE JOINT**

DOWEL BAR TABLE		
PAVEMENT THICKNESS	DOWEL BAR DIAMETER	HOLE DIAMETER
8 (200) or greater	1 1/2 (38)	1 5/8 (41)
7 (180) thru 7.99 (199)	1 1/4 (32)	1 3/8 (35)
Less than 7 (180)	1 (25)	1 1/8 (29)

**GENERAL NOTES**

The transverse joints for Class B patches shall align with joints or cracks in the adjacent lane whenever possible.

See Standard 420701 for details of pavement fabric.

All dimensions are in inches (millimeters) unless otherwise shown.

DATE	REVISIONS
1-1-08	Switched units to English (metric).
1-1-07	Revised General Notes.

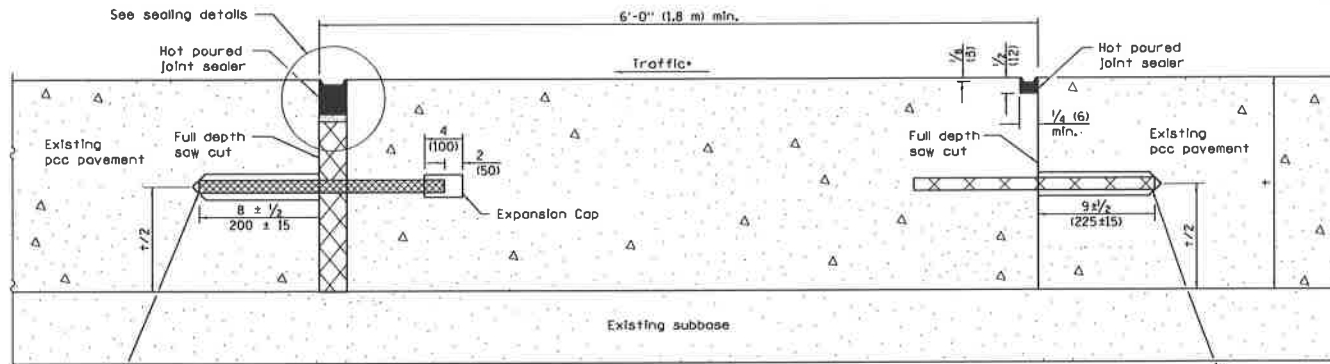
**CLASS B PATCHES**

(Sheet 1 of 2)

**STANDARD 442101-07**

Illinois Department of Transportation  
 PASSED January 1, 2008  
 ENGINEER OF POLICY AND PROCEDURES  
 APPROVED January 1, 2008  
 ENGINEER OF DESIGN AND ENVIRONMENT

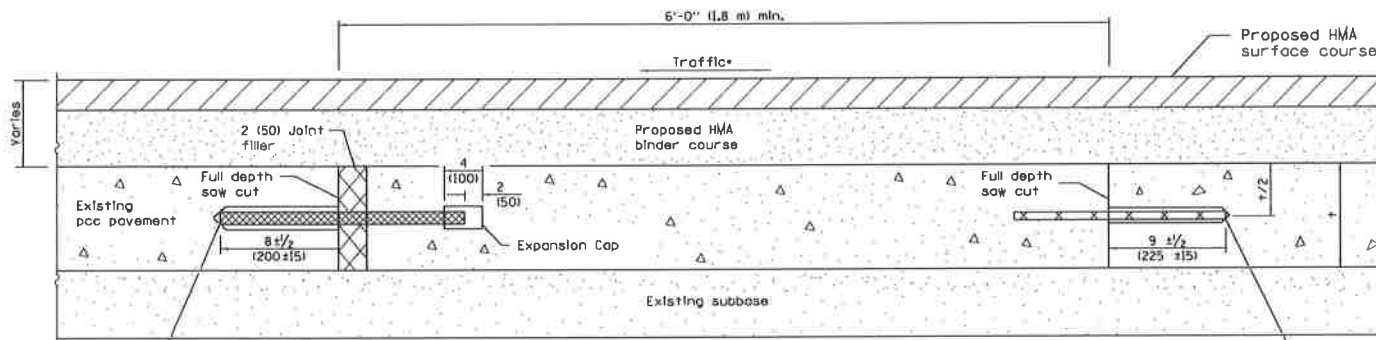
**TRANSVERSE EXPANSION JOINTS**



18 (450) Long dowel bars anchored into existing pavement at 12 (300) cts.

**METHOD I**  
(Without Resurfacing)

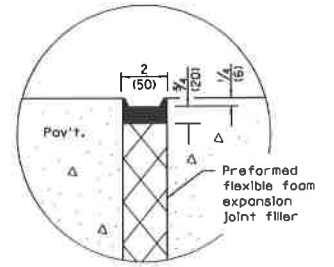
No. 10x18 (No. 32x450) Tie bars anchored into existing pavement at 12 (300) cts.



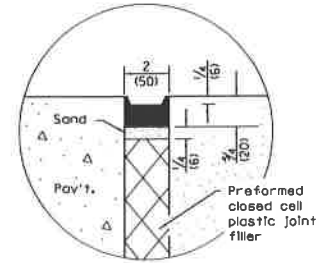
18 (450) Long dowel bars anchored into existing pavement at 12 (300) cts.

**METHOD II**  
(With Resurfacing)

No. 10x18 (No. 32x450) Tie bars anchored into existing pavement at 12 (300) cts.



**SEALING DETAIL**



**SEALING DETAIL**

**NOTE**

- When re-establishing a transverse expansion joint on a two-lane, two-way road, reverse the orientation of the dowel bars with respect to traffic for one of the patches such that the joint will be continuous across both lanes.

**CLASS B PATCHES**

(Sheet 2 of 2)

**STANDARD 442101-07**

Illinois Department of Transportation		ISSUED 1-1-97
PASSED	January 1, 2008	
ENGINEER OF POLICY AND PROCEDURES	<i>[Signature]</i>	
APPROVED	January 1, 2008	
ENGINEER OF DESIGN AND ENVIRONMENT	<i>[Signature]</i>	